



TECHNICAL DATA

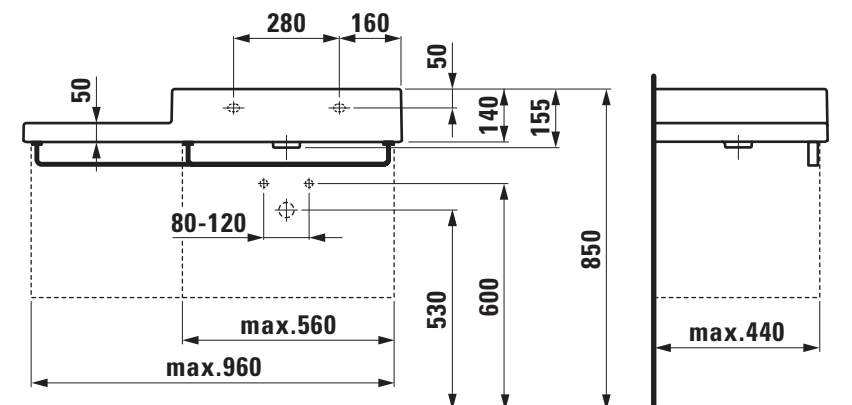
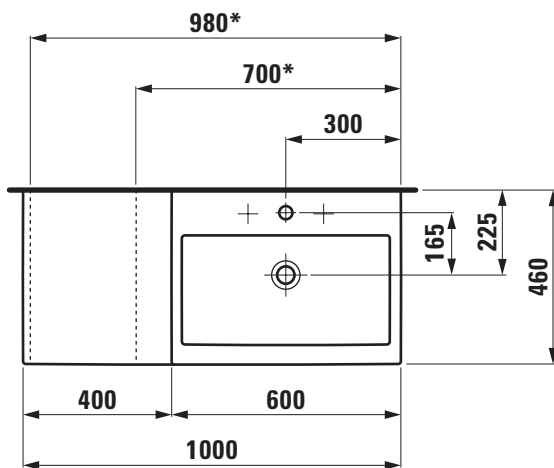
Order no.	81843.1
Certified to	EN 31
Dimensions	1000 x 460 mm
Inside dimensions of the basin	550 x 290 mm
Specification	Basin right, ceramic shelf left without decoration Cut one-sided to 700 - 980 mm Charge 104 – 1 centre tap hole
Special specification	Charge 108 – 3 tap holes Charge 109 – without tap hole Charge 111 – 1 tap hole, without overflow Charge 112 – without tap holes, without overflow Charge 136 – 3 tap holes, distance 8 inches Charge 135 – 1 centre tap hole, cut one-sided Charge 150 – 3 tap holes, cut one-sided Charge 159 – without tap hole, cut one-sided With decoration on ceramic shelf Charge 134 – 1 centre tap hole Charge 138 – 3 tap holes Charge 139 – without tap hole Charge 141 – 3 tap holes, distance 8 inches

Weight	26,0 kg
Accessories excl.	Towel rail 600 mm, order no. 89542.4 Towel rail 1000 mm, order no. 89542.6
Mounting acc. excl.	Mounting set M10 x 140 mm, order no. 89988.2
Otherwise	When ordering the cut version use the order form for cutting
Colours	see colour table

SPECIFICATION TEXT

Cutable countertop basin Laufen-LIVING CITY, sanitary ceramic EN 31
 dimensions 1000 x 460 mm, angular
 basin right, 1 centre tap hole
 Special feature: overflow channel glazed, cut one-sided to 700 - 980 mm, integrated shelf left
 Further options / accessories: Surface refinement LCC (only white), 3 tap holes, without tap holes, 1 tap hole without overflow, without tap holes and overflow, 3 tap holes distance 8 inches, bespoke decoration on ceramic shelf, towel rail 600 mm 89542.4 / 1000 mm 89542.6, furniture
 Order no. 81843.1

TECHNICAL DRAWINGS / S 1 : 20



* = minimum/maximum measure for cutting