



SCHEDA TECNICA

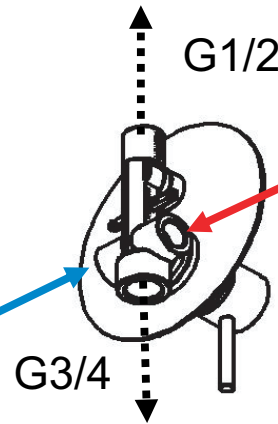
TECHNICAL FEATURES

ART. COD.

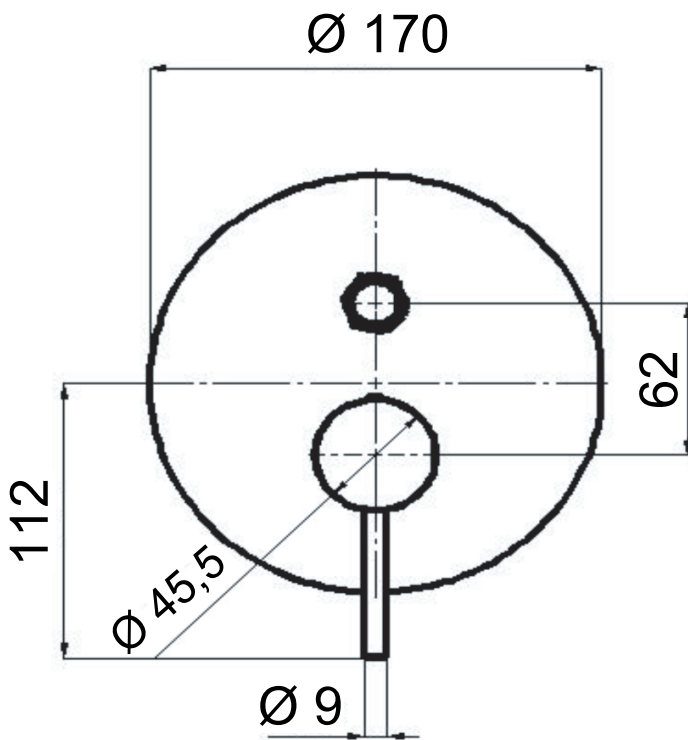
X 09 L



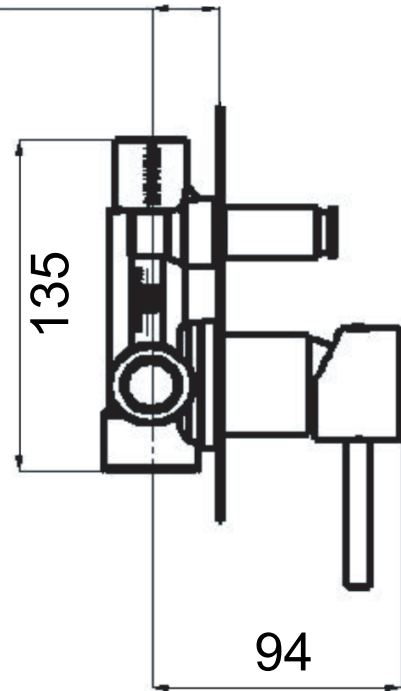
ACQUA
FREDDA
COLD
WATER
G1/2



ACQUA
CALDA
HOT
WATER
G1/2



MIN 25 / MAX 50



MATERIALI / MATERIALS

OTTONE CROMATO / CHROME PLATED BRASS

CROMATURA / CHROME PLATING

UNI EN 248

Via Leonardo da Vinci 83 - 20062 Cassano d'Adda (MI) Italy - Tel. +39-0363 364211

info@remer.eu www.remer.eu